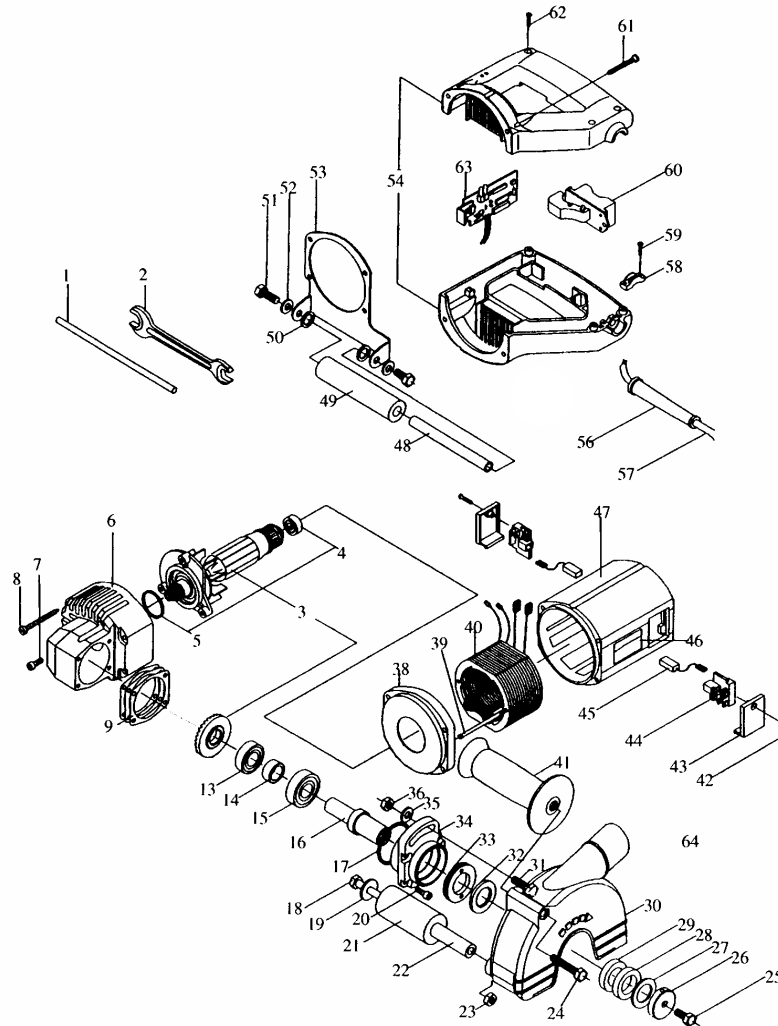


SG150

Pos.	Item No.	Description
1	B47720	BOLT
2	B03384	WRENCH 13/17
3	B35915	ARMATURE ASS'Y
4	211066-7	BALL BEARING 6200LLB
5	B51003	O-RING 31x2,5
6	B50815	GEAR HOUSING
7	B33415	TAPTITE SCREW M5x20
8	B07450	SCREW 4,8x80
9	B30361	SHIM 0,15
	B30379	SHIM 0,2
	B30387	SHIM 0,3
13	B30130	BALL BEARING 6003LLU
14	B30015	SLEEVE
15	211281-3	BLL BEARING 6203LLU
16	B46748	SPINDLE
17	B30148	O-RING 46x2
18	B11122	HEX. BOLT M8x90
19	B11189	WASHER 8,4
20	B33415	TAPTITE SCREW M5x20
21	B10777	TENSION ROLLER
22	B11247	PIPE
23	B18952	HEX.NUT M8
24	B33407	HEX.BOLT M8X55
25	B10983	HEX.BOLT M8X16
26	B29934	OUTER FLANGE
27	B30486	RING 3
28	B10678	RING 10
29	B30494	RING 18
30	B50831	SAFETY COVER
31	B11528	HEX. BOLT M8X25
32	B29884	RING 2,7
33	B30171	BEARING RETAINER



SG150

34	B50823	BEARING BOX
35	B21071	WASHER 8
36	B18952	HEX.NUT M8
38	B41418	BAFFLE PLATE
39	B36137	SCREW 4X80
40	B50849	FIELD ASS`Y 115V
41	B08482	SIDE GRIP
42	B21030	PAN HEAD SCREW 3,9X13
43	B38299	BRUSH HOLDER COVER
44	B32508	BRUSH HOLDER
45	B45872	CARBON BRUSH
46	B50864	NAME PLATE
47	B50807	MOTOR HOUSING
48	B31096	PIPE
49	B09506	TENSION ROLLER
50	B26948	WASHER 13
51	B30981	HEX. BOLT M7X12
52	B31070	WASHER 7,4
53	B10801	HOLDER
54	B48611	HANDLE SET
56	B25221	CORD GUARD
57	P-12918	POWER SUPPRY CORD
58	B17913	STRAIN RELIEF
59	B20990	PAN HEAD SCREW 3,9X16
60	B31468	SWITCH
61	B44941	PAN HEAD SCREW 4,8X38
62	B42721	PAN HEAD SCREW 3,9X19
63	B35055	CONTROLLER 115V
	B14886	NOISE SUPRES
A00	B50856	MULTI STEEL CASE
A00:	P-22327	D. WHEEL 150 MM FOR ABRASIVE
A00:	P-22311	D. WHEEL 150MM FOR HARD MATERIAL