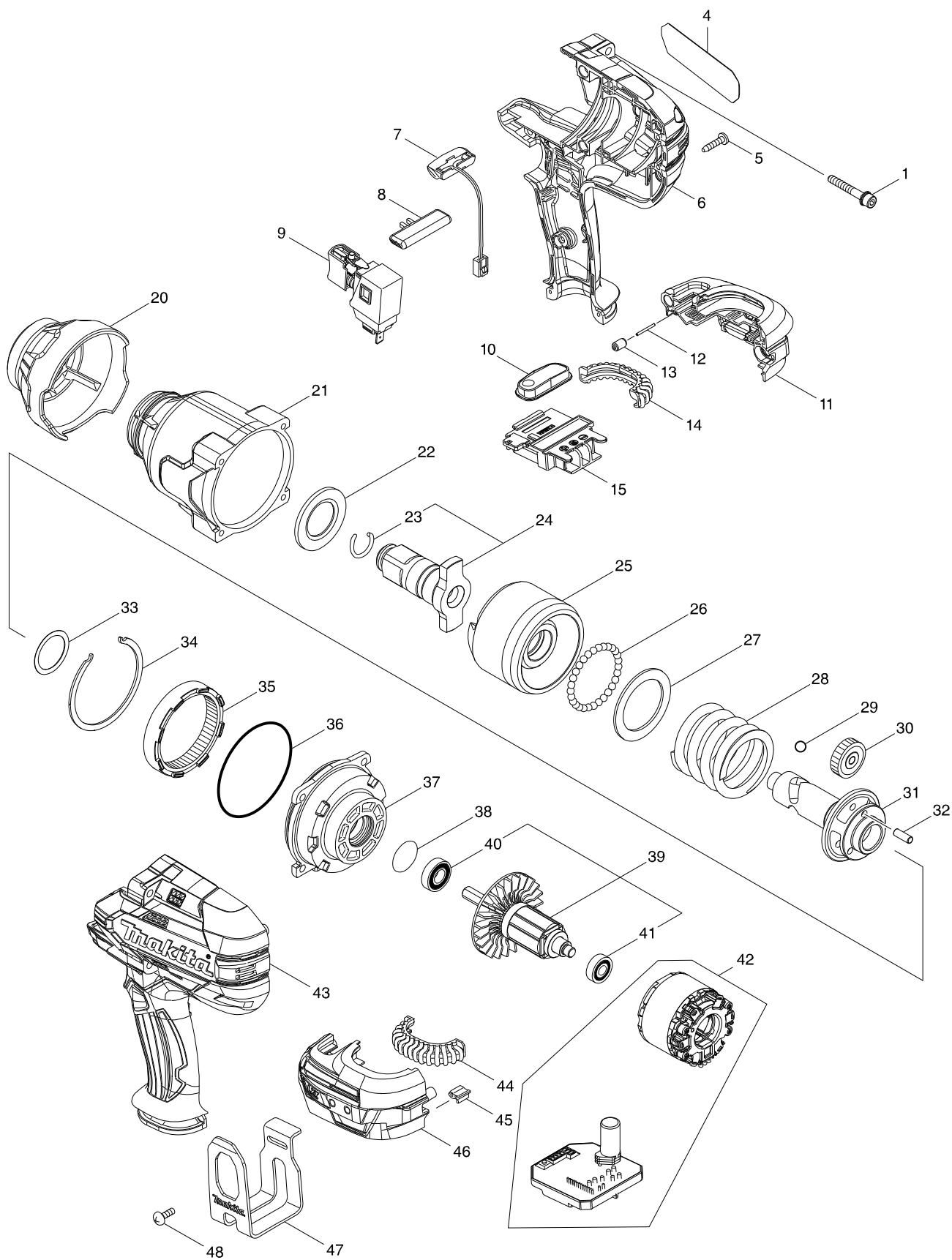


Modellszám DTW1001 CORDLESS IMPACT WRENCH



Tétel	Cikkszám	Megnevezés	Átala	Menny.	N/O	Opc 1	Opc 2	Megjegyzés
001	251476-6	H.S.H.BOLT M5X35 WITH WR		4				
004	851K74-8	DTW1001 NAME PLATE		1				
005	266326-2	CSAVAR 4X18		9				
006	183C08-8	HOUSING SET		1	*			
D10		INC. 43			*			
006-1	183H36-3	HOUSING SET	O	1				
D10		INC. 43						
007	620351-1	LED CIRCUIT		1				
008	456268-0	F/R CHANGE LEVER		1				
009	143416-7	SWITCH COMPLETE		1				
010	143417-5	SWITCH PLATE COMPLETE		1				
011	183C12-7	BATTERY HOUSING SET		1				
C10	263005-3	GUMI CSAPSZEG 6 263005-3		2				
D10		INC. 46						
012	268284-8	PIN 1.5		1				
013	263036-2	GUMISTIFT BTW/BTL		1				
014	424773-5	CUSHION RUBBER		1				
015	643899-6	TERMINAL		1				
020	424775-1	BUMPER		1	*			
020-1	424978-7	BUMPER	<	1				
021	143411-7	HAMMER CASE COMPLETE		1	*			
021-1	144473-8	HAMMER CASE COMPLETE	S	1				
022	346948-5	WASHER 25		1				
023	231920-9	RUGÓS GYŰRŰ 16 (FELFOGÓ SZERK)		1	*			
023-1	232334-5	RING SPRING 16	<	1				
024	135716-9	ANVIL E ASS'Y		1	*			
D10		INC. 23			*			
024-1	135803-4	ANVIL E ASS'Y	<	1				
D10		INC. 23						
025	326612-4	HAMMER		1				
026	216002-8	ACÉLGOLYÓ 4,8 216002-8		29				
027	267493-6	FLAT WASHER 38		1				
028	234383-8	COMPRESSION SPRING 38		1				
029	216009-4	ACÉLGOLYÓ 7,1 6906/3620*		2				
030	227391-6	SPUR GEAR 24		3				
031	326611-6	SPINDLE		1				
032	268079-9	PIN 5		3				
033	267494-4	FLAT WASHER 25		1				
034	346947-7	RETAINER		1				
035	227392-4	INTERNAL SPUR GEAR 54		1				
036	213720-9	O-GYŰRŰ 67 213720-9		1				
037	135718-5	INTERNAL GEAR CASE ASS'Y		1				
D10		INC. 36,38						
038	213961-7	O RING 22		1				
039	519384-0	ROTOR ASS'Y		1				
D10		INC. 40,41						
040	210069-8	CSAPÁGY BSS501		1				
041	211022-7	GOLYÓCSAPÁGY 607ZZ		1				

Tétel	Cikkszám	Megnevezés	Átala	Menny.	N/O	Opc 1	Opc 2	Megjegyzés
042	629170-2	STATOR COMPLETE		1				
043	183C08-8	HOUSING SET		1	*			
D10		INC. 6			*			
043-1	183H36-3	HOUSING SET	O	1				
D10		INC. 6						
044	424773-5	CUSHION RUBBER		1				
045	424517-3	CUSHION		1				
046	183C12-7	BATTERY HOUSING SET		1				
C10	263005-3	GUMI CSAPSZEG 6 263005-3		2				
D10		INC. 11						
047	346949-3	HOOK		1				
048	251314-2	CSAVAR M4X12 LS0810/2012		2				
A01B	***DC18RC	DC18RC FAST CHARGER		1				
A01C	***DC18RC	DC18RC FAST CHARGER		1				
A01D	***DC18RC	DC18RC FAST CHARGER		1				
A02B	197265-4	BATTERY BL1840B SET		2				
A02C	194204-5	AKKU BL1830 18V 3,0AH LI-ION AKKUM		2	*			
A02D	197280-8	BATTERY BL1850B SET		2				
A02-1C	197600-6	BATTERY BL1830B SET	<	2				
A03B	450128-8	BATTERY COVER		1				
A03C	450128-8	BATTERY COVER		1				
A03D	450128-8	BATTERY COVER		1				
A04B	821551-8	T2 KOFFER 396X296X210		1				
C10	453974-8	LATCH		4				
A04C	821551-8	T2 KOFFER 396X296X210		1				
C10	453974-8	LATCH		4				
A04D	821551-8	T2 KOFFER 396X296X210		1				
C10	453974-8	LATCH		4				
A05B	837645-9	INNER TRAY		1				
A05C	837645-9	INNER TRAY		1				
A05D	837645-9	INNER TRAY		1				
A06B	808B95-7	DTW1001RMJ INDICATION LABEL		1				
A06C	808B97-3	DTW1001RFJ INDICATION LABEL		1				
A06D	808B99-9	DTW1001RTJ INDICATION LABEL		1				
A07B	808B96-5	DTW1001RMJ PLASTIC CASE LABEL		2				
A07C	808B98-1	DTW1001RFJ PLASTIC CASE LABEL		2				
A07D	808C00-0	DTW1001RTJ PLASTIC CASE LABEL		2				