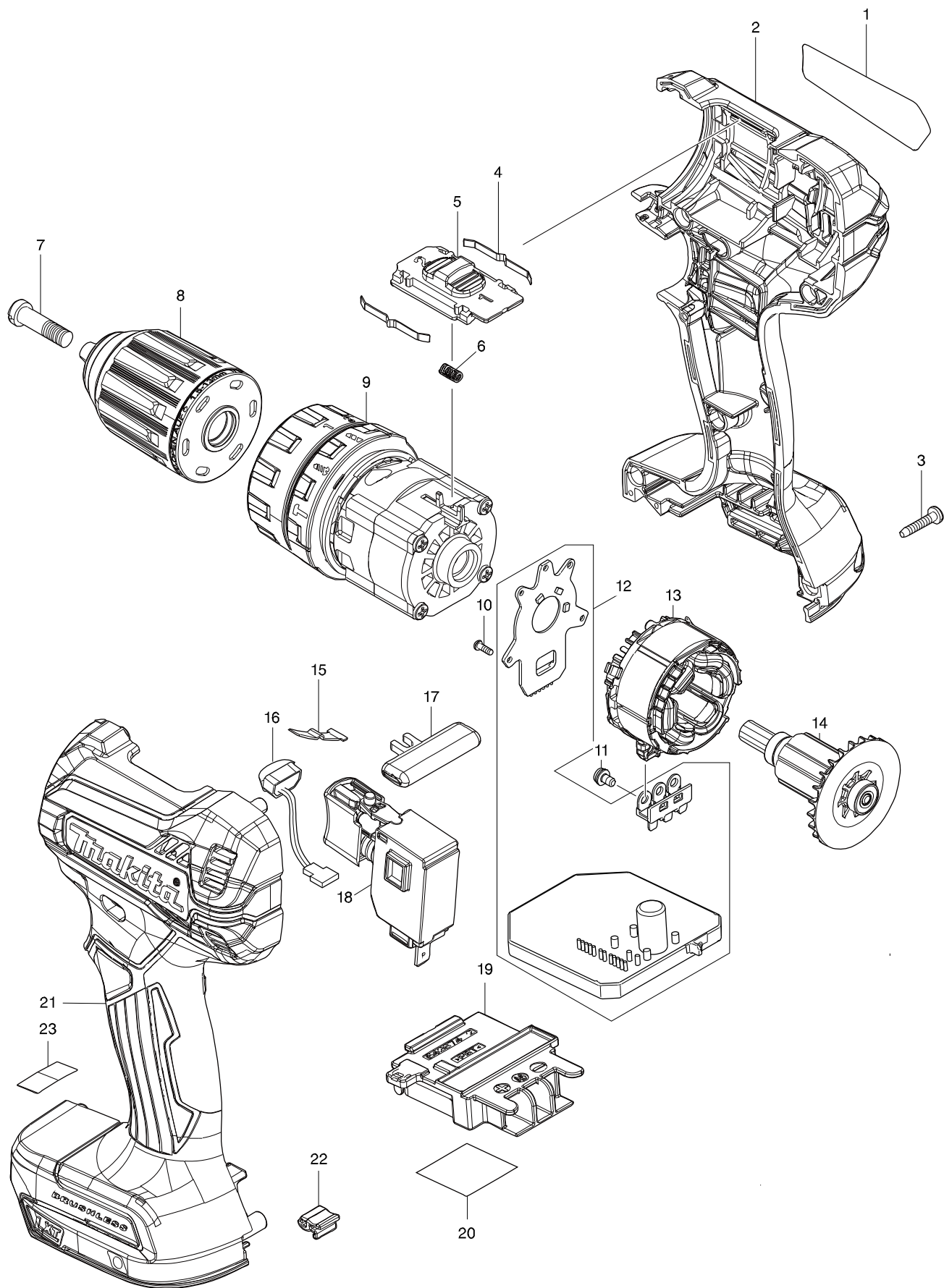


# Modellszám DHP485 CORDLESS HAMMER DRIVER DRILL



Tétel	Cikkszám	Megnevezés	Átalak.	Menny.	N/O	Vásárlás	Megjegyzés
001	854U05-6	DHP485 NAME PLATE		1			
002	183K32-9	HOUSING SET		1			
C10	263005-3	GUMI CSAPSZEG 6 263005-3		2			
C20	252126-6	HEX. LOCKING NUT M4-7		2			
D10		INC. 21					
003	266429-2	CSAVAR 3X16		8			
004	232220-0	LAPRUGÓ /6319DWFE		2			
005	458671-1	SPEED CHANGE LEVER		1			
006	233438-6	COMPRESSION SPRING 4		1			
007	251468-5	CSAVAR M6X22		1			
008	766027-7	KEYLESS DRILL CHUCK 13		1			
009	126961-7	GEAR ASSEMBLY		1			
010	266490-9	TAPPING SCREW PT 2X6		3			
011	652069-6	FLAT HEAD SCREW M3X6		3			
012	620964-8	CONTROLLER		1			
013	629372-0	STATOR		1			
014	619533-0	ROTOR		1			
015	232182-2	LAPRUGÓ 6096DW/6201DW/621		1			
016	620549-0	LED CIRCUIT		1			
017	419041-9	VÁLTÓKAR BDF441		1			
018	650710-5	SWITCH C3JW-4B		1			
019	643874-2	TERMINAL		1			
020	854U11-1	DHP485 SERIAL NO. LABEL		1			
021	183K32-9	HOUSING SET		1			
C10	263005-3	GUMI CSAPSZEG 6 263005-3		2			
C20	252126-6	HEX. LOCKING NUT M4-7		2			
D10		INC. 2					
022	424517-3	CUSHION		1			
A01	251314-2	CSAVAR M4X12 LS0810/2012		1			
A02	346317-0	HOROG BDF456/BHP456		1			
A03	784637-8	BIT (+-) SZERSZÁM NR. 2, 45 MM, 1/		1			
A04B	821550-0	T2 KOFFER 396X296X157		1			
C10	453974-8	LATCH		4			
A04C	821550-0	T2 KOFFER 396X296X157		1			
C10	453974-8	LATCH		4			
A05B	450128-8	BATTERY COVER		1			
A05C	450128-8	BATTERY COVER		1			
A06B	***DC18RC	DC18RC FAST CHARGER		1			
D10		COMPO-PARTS					
A06C	***DC18RC	DC18RC FAST CHARGER		1			
D10		COMPO-PARTS					
A07B	197600-6	BATTERY BL1830B SET		2			
A07C	197280-8	BATTERY BL1850B SET		2			
A08B	837916-4	INNER TRAY		1			
A08C	837916-4	INNER TRAY		1			
A09B	818D51-1	DHP485RFJ INDICATION LABEL		1			
A09C	818D53-7	DHP485RTJ INDICATION LABEL		1			
A10B	818D52-9	DHP485RFJ PLASTIC CASE LABEL		2			

