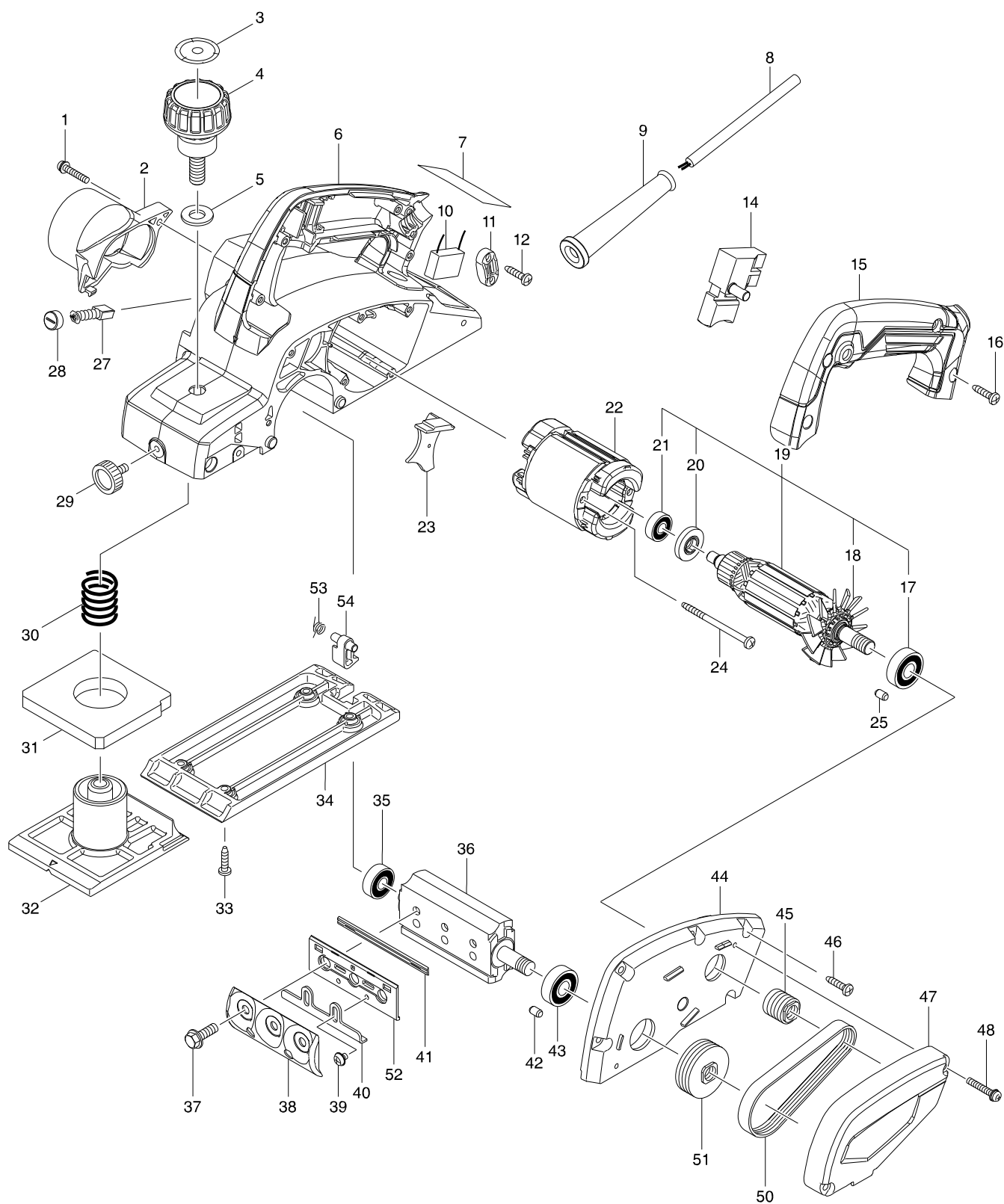


Modellszám M1901 82MM PLANER



Tétel	Cikkszám	Megnevezés	Átalal	Menny.	N/O	Opc 1	Opc 2	Megjegyzés
001	265147-9	+ PAN HEAD SCREW M4X22		1				
002	451329-1	NOZZLE		1				
003	893490-2	SCALE LABEL		1				
004	272408-0	KNOB 44		1				
005	267278-0	FLAT WASHER 10		1				
006	142362-1	MAIN FRAME COMPLETE		1				
C10	643858-0	BRUSH HOLDER 6X9		2	*			
C11	643509-5	BRUSH HOLDER 6X9	O	2				
007	851Y45-9	M1901 NAME PLATE		1				
008	665383-1	POWER SUPPLY CORD 1.0-2-2.0		1	*			
008-1	695556-2	POWER SUPPLY CORD 1.0-2-2.0	O	1				
009	682569-2	CORD GUARD 8-85		1				
010	645190-8	NOISE SUPPRESSOR		1				
011	687124-5	STRAIN RELIEF		1				
012	266326-2	TAPPING SCREW 4X18		2				
014	650217-1	SWITCH FA1-6/1B-1		1				
015	452811-3	HANDLE COVER		1				
016	266326-2	TAPPING SCREW 4X18		4				
017	210067-2	BALL BEARING 6000ZZ		1				
018	240068-6	FAN 52		1				
019	510208-3	ARMATURE ASS'Y 240V		1				
D10		INC. 17,18,20,21						
020	681672-6	INSULATION WASHER		1				
021	210062-2	BALL BEARING 607ZZ		1				
022	593589-0	FIELD ASS'Y 240V		1				
C10	654221-2	RING TERMINAL		2	*			
C11	654450-7	RING TERMINAL	O	2				
C20	654501-6	CONNECTOR P-1.25		2				
023	452812-1	ASSIST FAN GUIDE		1				
024	266334-3	TAPPING SCREW 4X60		2				
025	263002-9	RUBBER PIN 4		1				
027	191940-4	CARBON BRUSH CB-411		1				
028	643987-9	BRUSH HOLDER CAP 5-8		2				
029	265757-2	THUMB SCREW M5X10		1				
030	233395-8	COMPRESSION SPRING 18		1				
031	421858-8	RUBBER PACKING		1				
032	318780-7	FRONT BASE		1				
033	266326-2	TAPPING SCREW 4X18		4				
034	318499-8	BASE		1				
035	210029-0	BALL BEARING 608ZZ		1				
036	161140-0	DRUM		1				
037	265512-2	FLANGE HEX.BOLT M6X17		6				
038	187679-5	DRUM PLATE SET		1				
039	265132-2	+ PAN HEAD SCREW M4X5		4				
040	345644-2	ADJUST PLATE		1				
041	A-82921	T.C.T. MINI PLANER BLADE		1				
042	263002-9	RUBBER PIN 4		1				
043	210067-2	BALL BEARING 6000ZZ		1				

